

NOTES:
1) Suitable for 10mm to 19mm safety glass and to specification by others.

GHI
ARCHITECTURAL SOLUTIONS
phone : 011 608 2800
email : info@ghi.co.za
website : www.ghi.co.za

*This drawing is presented in good faith and GHI and their Associates cannot be held liable for any errors whatsoever.
*The drawing is to be checked and sizes confirmed by Client prior to any materials ordering, cutting or manufacturing.
*Site conditions will always vary per project, this a mere standard illustration, use in conjunction with applicable site sizes.

PHOTO INSERT

PROJECT:

SILHOUETTE GLASS FACADES

NOTES:

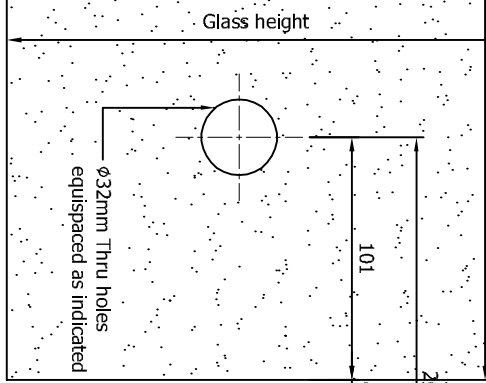
VHDD006 - 4 LEG FIN SPIDER FITTING

DATE:

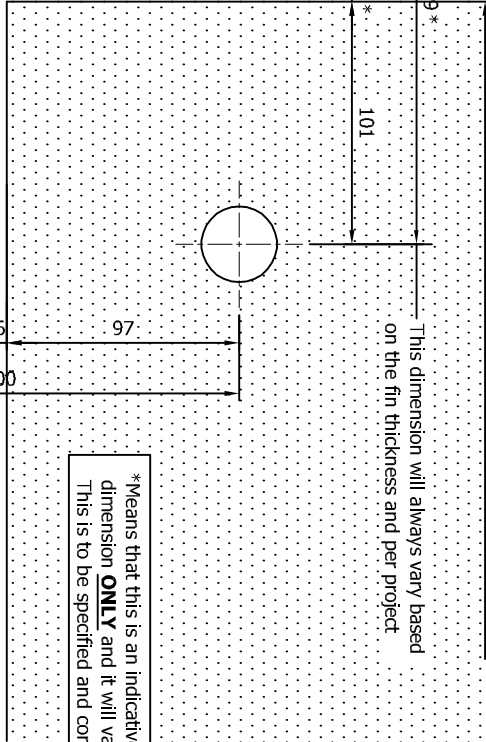
01 MARCH 2021

NOTES:
 1) Suitable for 10mm to 19mm safety glass and to specification by others.

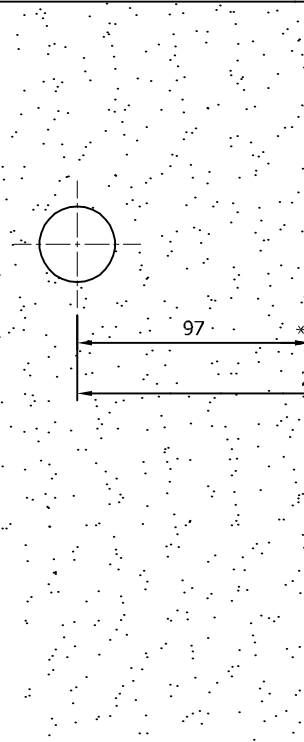
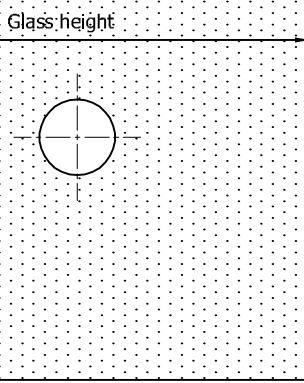
Glass width



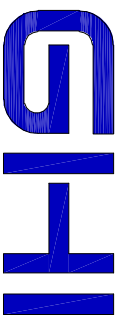
Glass width



*Means that this is an indicative dimension **ONLY** and it will vary per project. This is to be specified and confirmed by others.



GLASS CUT OUT DETAILS
 (Main Glass)



ARCHITECTURAL SOLUTIONS
 phone : 011 608 2800
 email : info@ghi.co.za
 website : www.ghi.co.za

*This drawing is presented in good faith and GHI and their Associates cannot be held liable for any errors whatsoever.
 *The drawing is to be checked and sizes confirmed by Client prior to any materials ordering, cutting or manufacturing.
 *Site conditions will always vary per project, this a mere standard illustration, use in conjunction with applicable site sizes.

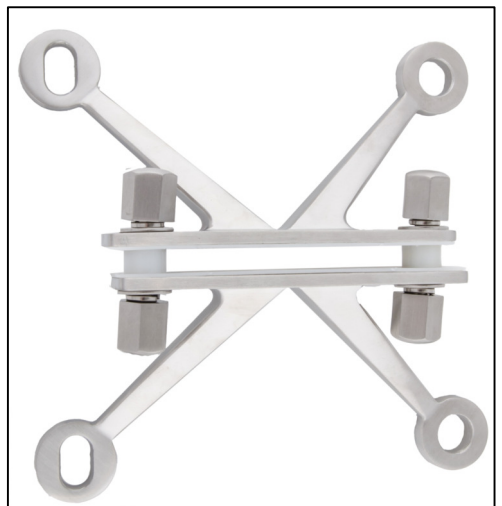
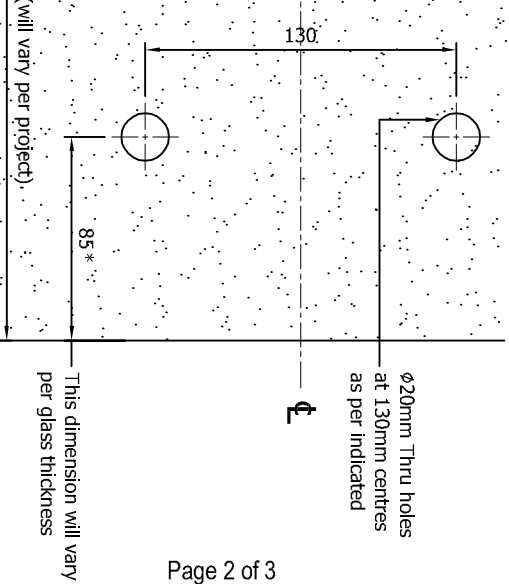


PHOTO INSERT

Fin height (will vary per project)

Dimension will vary per project

Dimension will vary per project



GLASS CUT OUT DETAILS
 (Glass fin)

PROJECT: **SILHOUETTE GLASS FACADES**

NOTES: **VHDD006 - 4 LEG FIN SPIDER FITTING**

DATE: **01 MARCH 2021**

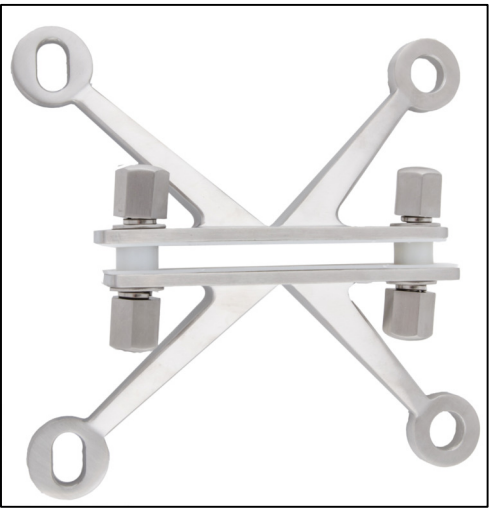


PHOTO INSERT

Brickwork or similar
to site confirmation

Fixing screw by others

Spider fitting arm

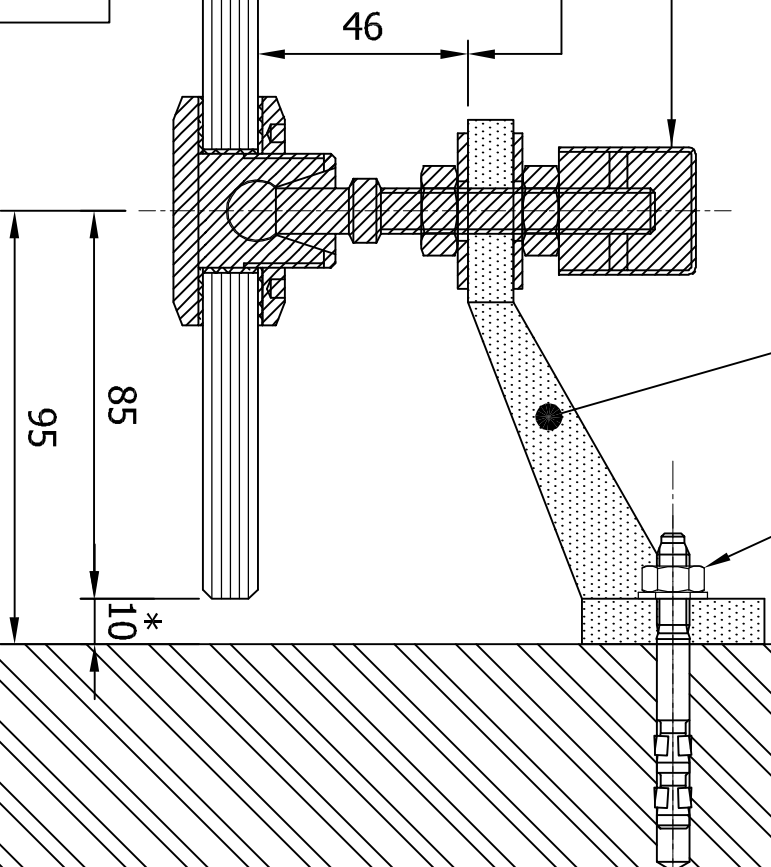
Articulating bolt

This dimension will vary per project

Safety glass by others
(thickness will vary per project
and to specification by others)

*Means that this is an indicative
dimension **ONLY** and it will vary per project.
This is to be specified and confirmed by others.

NOTES:
1) Suitable for 10mm to 19mm safety glass
and to specification by others.



GHI
ARCHITECTURAL SOLUTIONS
phone : 011 608 2800
email : info@ghicoza
website : www.ghicoza

*This drawing is presented in good faith and GHI and their Associates cannot be held liable for any errors whatsoever.
*The drawing is to be checked and sizes confirmed by Client prior to any materials ordering, cutting or manufacturing.
*Site conditions will always vary per project, this a mere standard illustration, use in conjunction with applicable site sizes.

PROJECT:

SILHOUETTE GLASS FACADES

NOTES:

VHD006 - TYPICAL BRICKWORK SETTING OUT

DATE:

01 MARCH 2021