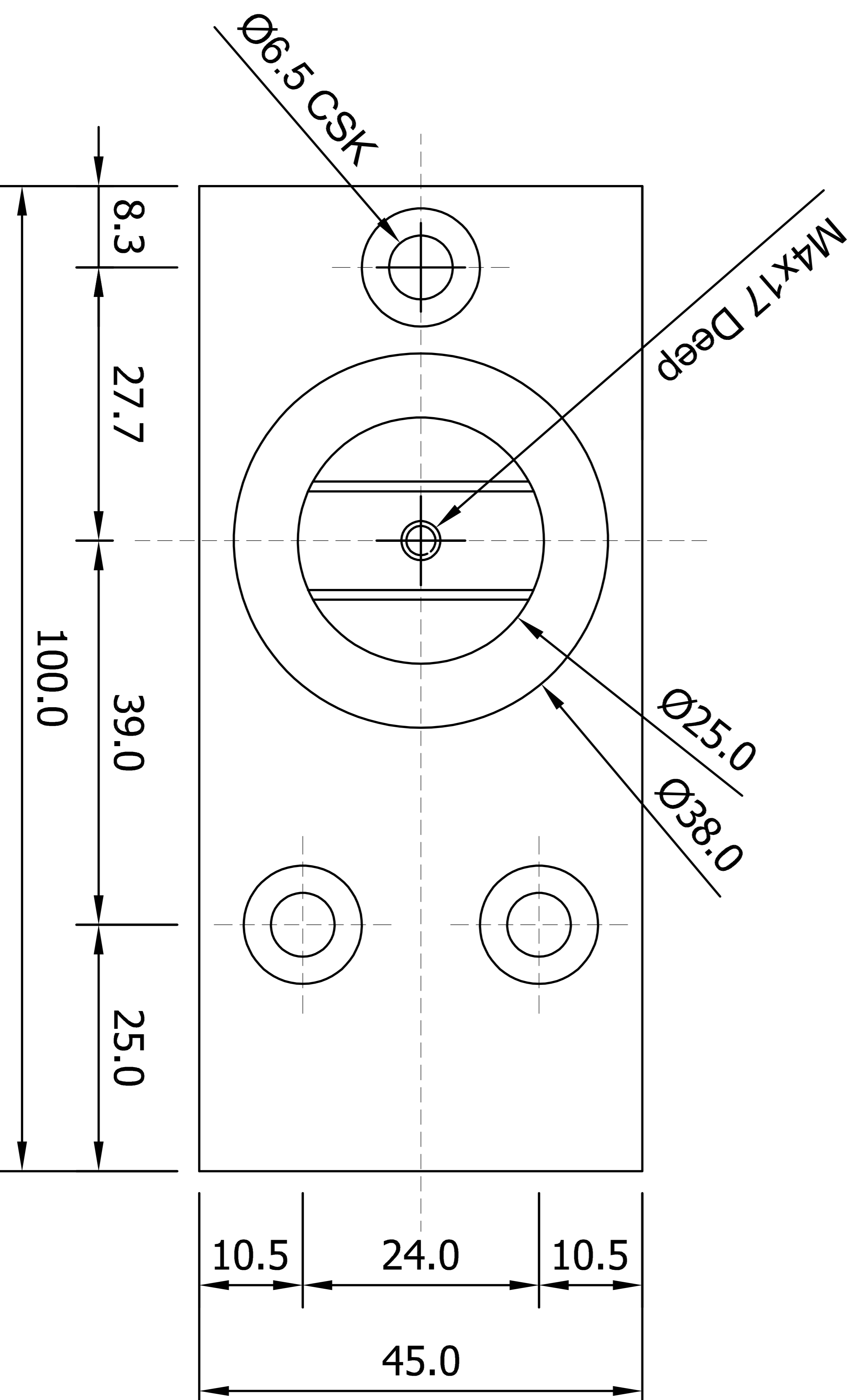


SIDE VIEW

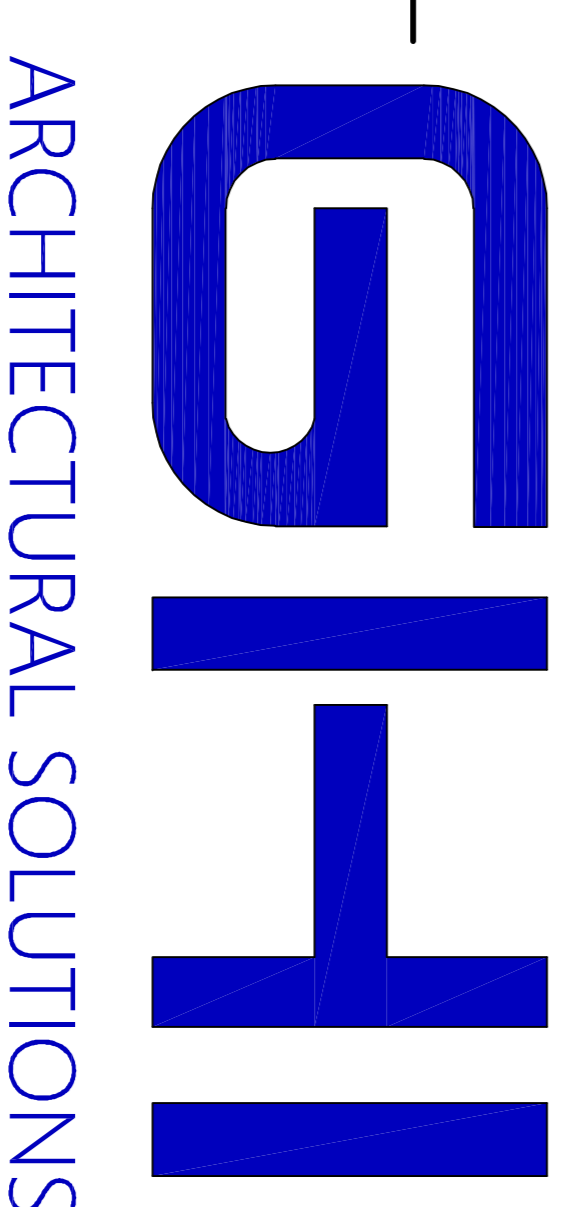


PHOTO INSERT



PLAN VIEW

*This drawing is presented in good faith and GHI and their Associates cannot be held liable for any errors whatsoever.
 *The drawing is to be checked and sizes confirmed by Client prior to any materials ordering, cutting or manufacturing.



PROJECT:
 SILHOUETTE GLASS PATCH FITTINGS

NOTES:
 DL08 BOTTOM PIVOT BEARING

SCALE:
 1:1 @ A4

DATE:
 21 - 11 - 2019