



# Straightaway 400A

Top hung sliding hardware for interior aluminium or timber doors up to 400kg.

## Features

- Strong aluminium track
- Optional clip-on rebate/pelmet
- Quality proven hardware
- Concealed guiding
- Ideal for offices, hospitals, hotels

## Specifications

- Max door mass: 400kg
- Max door height: 3000mm
- Max door width: 2000mm
- Door thickness: 44mm

The area of a single sliding leaf should be related to all other factors.

Brought to you by

**GHI**  
ARCHITECTURAL SOLUTIONS

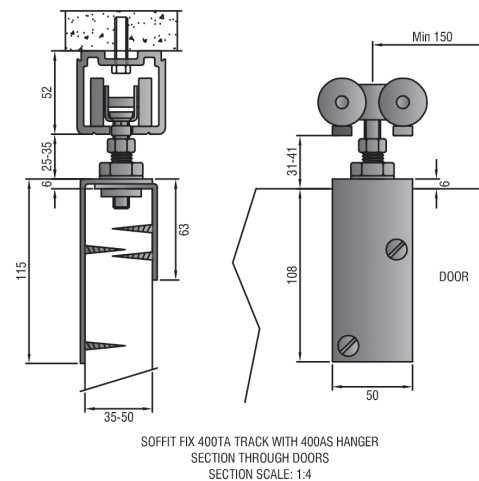
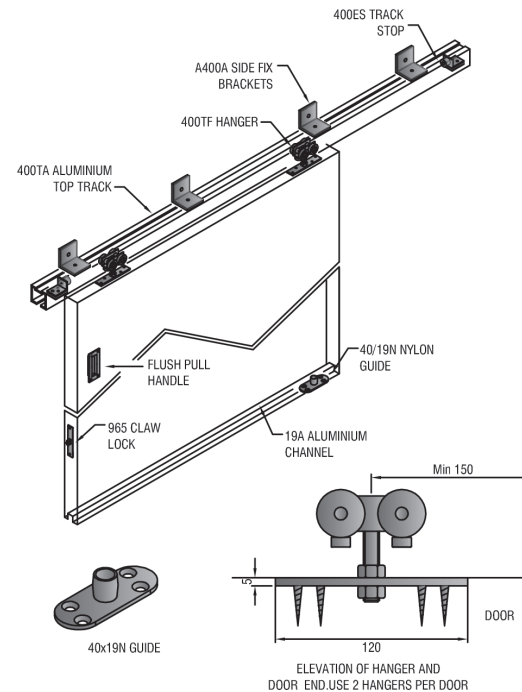
## Components

- A400A side fixing brackets - max 500mm centres
- 400TA aluminium top track
- 400TO take-out piece
- 400PA aluminium clip-on rebate/pelmet
- 400TF (top fix) or 400AS (apron fix) hangers
- 19A aluminium guide channel
- 33 fibre or 40/19N bottom guide
- 503NA/GA flush pull handle
- 400ES track stop
- 965 mortice claw lock (timber door)

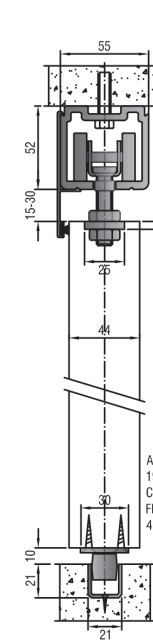
## Note

- All fittings available in stainless steel for coastal applications.
- Various finishes available.

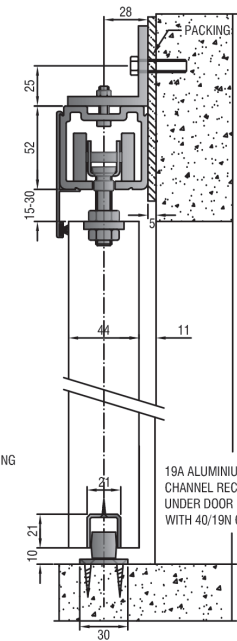
info@ghi.co.za | www.ghi.co.za



SOFFIT FIX 400TA TRACK WITH DOUBLE 400PA PELMET AND 400TF HANGER WITH TIMBER DOOR

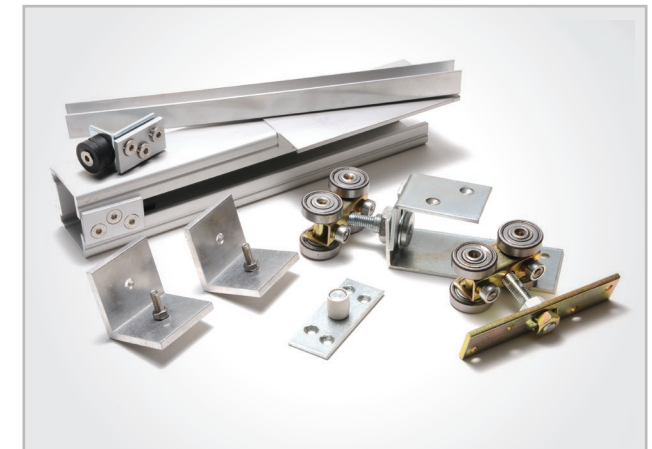


SIDE FIX 400TA TRACK WITH A400A BRACKET, 400PA PELMET AND 400TF HANGER WITH TIMBER DOOR



SECTION THROUGH DOORS  
SECTION SCALE: 1:4

## Mechanism



**Hillaldam**  
SLIDING DOOR SYSTEMS

## Straight Sliding Door Systems

Domestic, Commercial, Shop Fitting, Hospital, Industrial