



# Hotel 100

Top hung sliding hardware for hotel wardrobe and commercial cupboard doors.

## Features

- Smooth running ball-bearing hangers
- One piece double top track

## Specifications

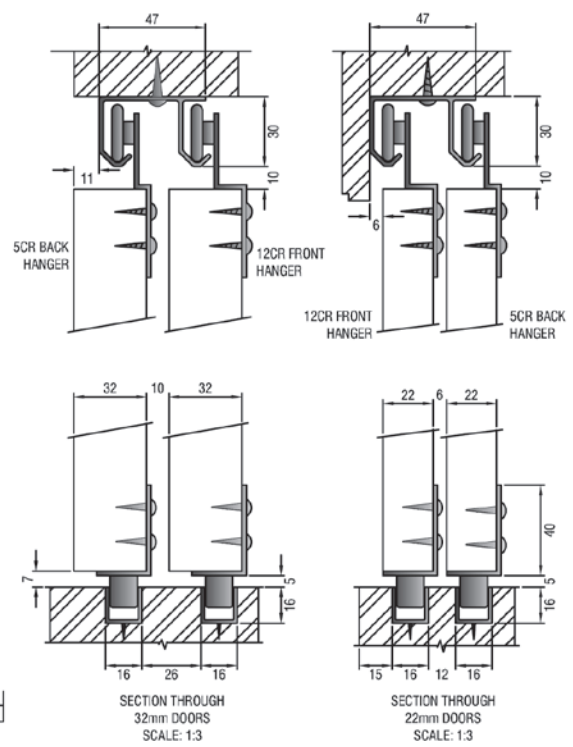
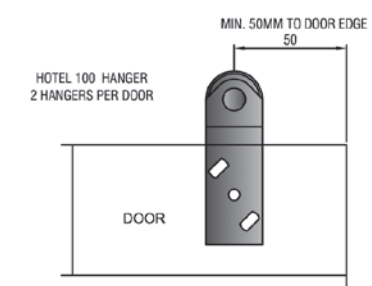
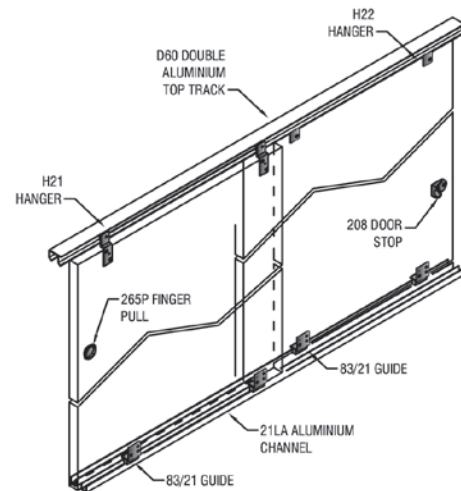
- Max door mass: 45kg
- Max door height: 2100mm
- Max door width: 900mm
- Door thickness: 16-32mm

## Components

- D60 aluminium top track
- 5CR (back) and 12CR (front) top fixing hangers – shallow and deep cranked to suit door thickness
- 83/21 guides
- 21A aluminium guide channel
- 265P finger pulls
- 208 door stop

## Standard Packed Sets

- 4HW – 2 doors in 1200mm opening
- 5HW – 2 doors in 1500mm opening
- 6HW – 2 doors in 1800mm opening
- 8HW – 3 doors in 2400mm opening



## Mechanism

