



Cosy Deluxe

A straight sliding door system ideal for hollow core and semi-solid interior doors of up to 30kg.

Features

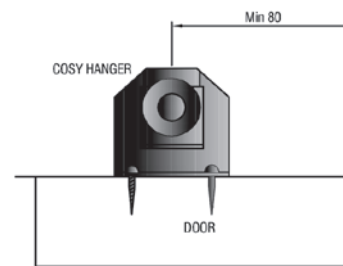
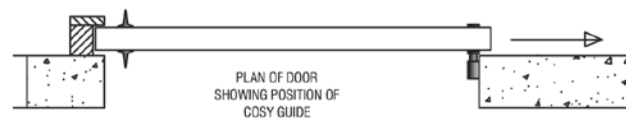
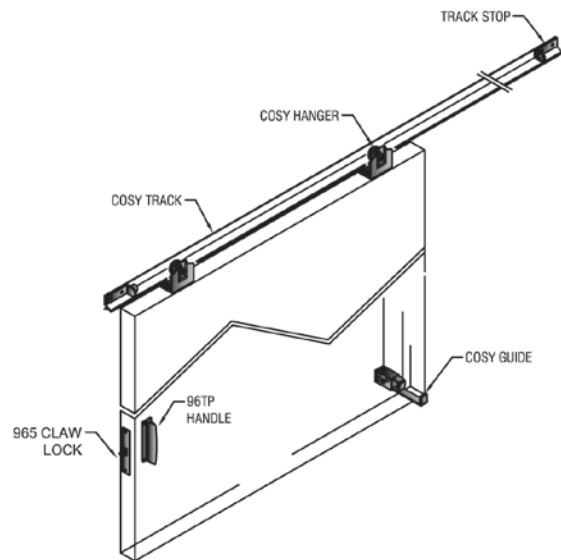
- Easy to fit
- Smooth-running, ball-bearing wheels
- Built-in track stops
- No cutting or grooving of the door required
- Adjustable cosy guide

Specifications

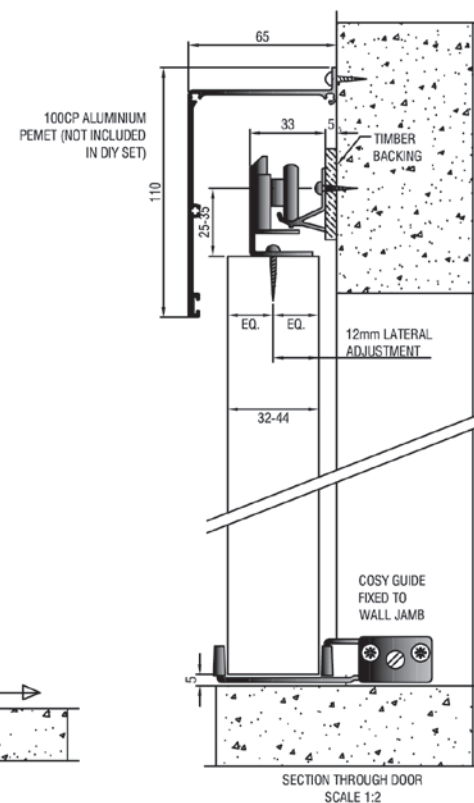
- Max door mass: 30kg
- Max door width: 900mm
- Max door height: 2100mm
- Door thickness: 32-44mm

Components

- Cosy aluminium track with stops
- Cosy hangers
- Cosy guide
- 96TP handle
- 100 CP aluminium pelmet (not included in DIY set)
- 965 mortice claw lock (not included in DIY set)
- Standard packed set for one door up to 900mm wide



FIT 2 HANGERS PER DOOR



Mechanism



Brought to you by

GHI
ARCHITECTURAL SOLUTIONS

info@ghi.co.za | www.ghi.co.za

Hillaldam
SLIDING DOOR SYSTEMS

Straight Sliding Door Systems

Domestic, Commercial, Shop Fitting, Hospital, Industrial