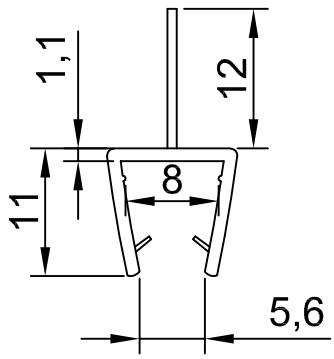
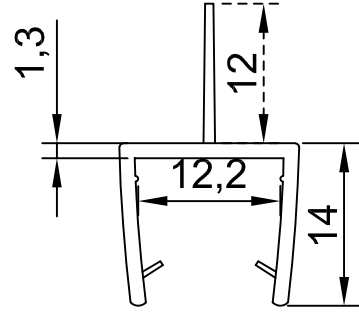


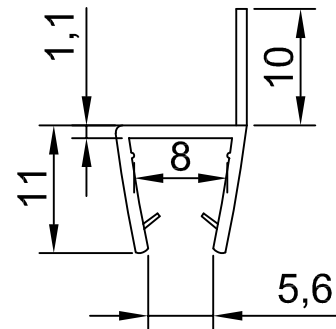
# GHI



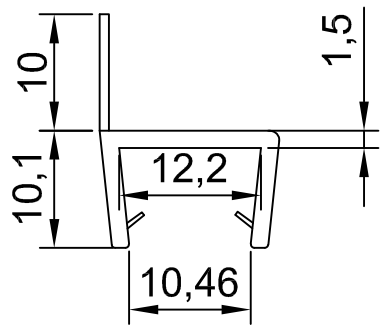
SG806-8-R



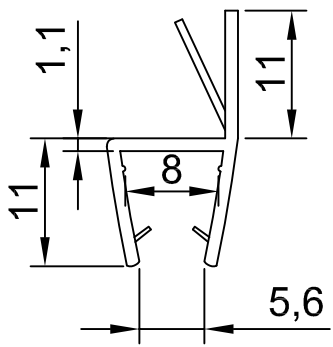
SG806-10-R



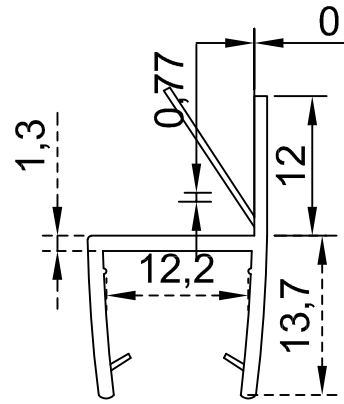
SG8011-8-R



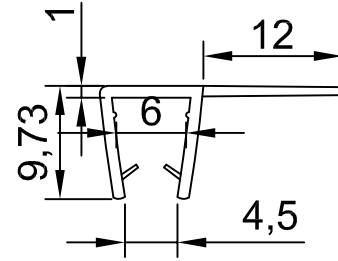
SG8011-10-R



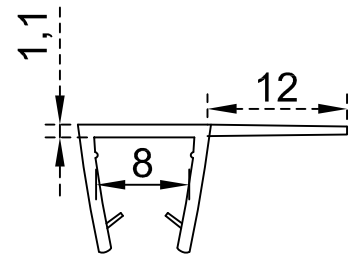
SG8018-8-R



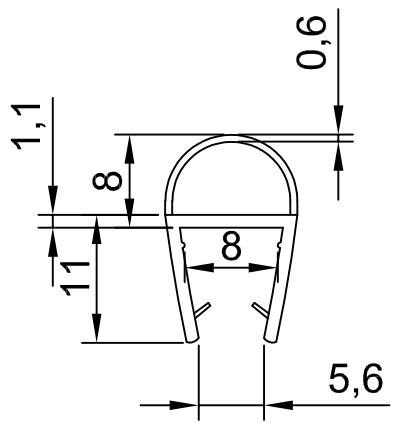
SG8018-10-R



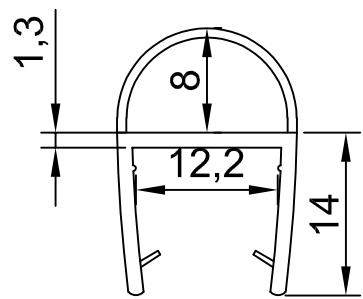
SG8014-6-R



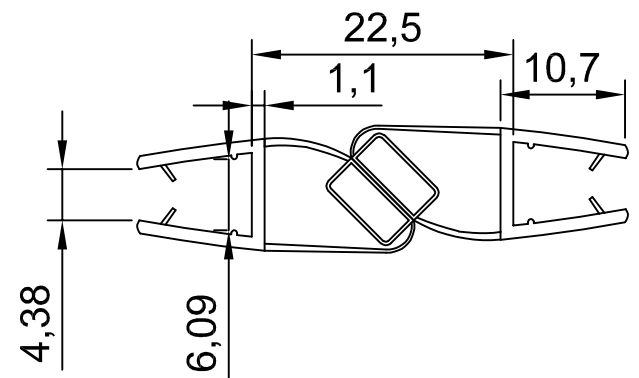
SG8014-8-R



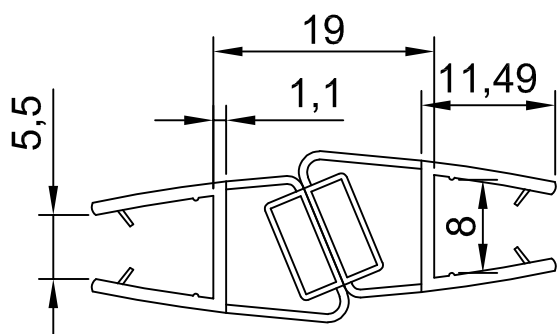
SG8013-8-R



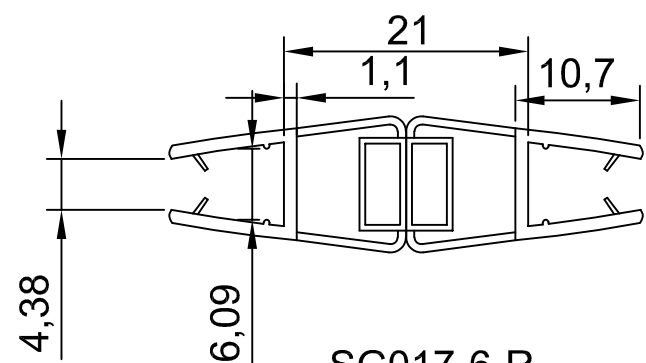
SG8013-10-R



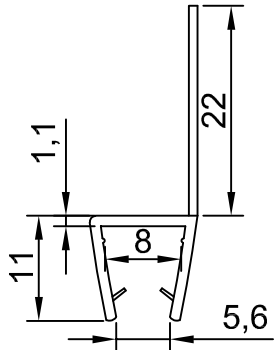
SG020-6-R



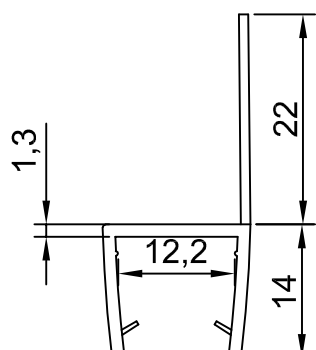
SG021-8-R



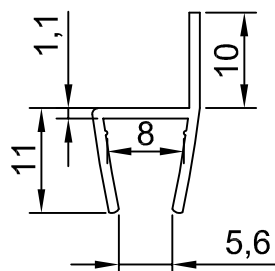
SG017-6-R



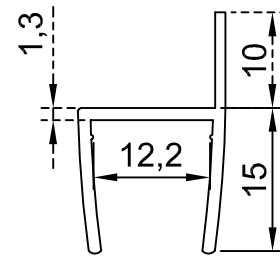
SG8016-8-R



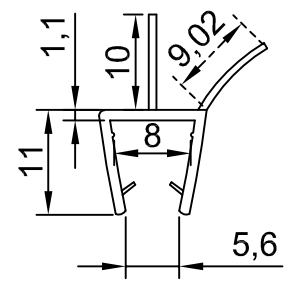
SG8016-10-R



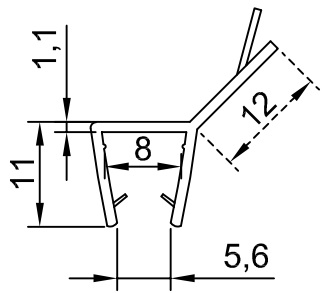
SG801-8-R



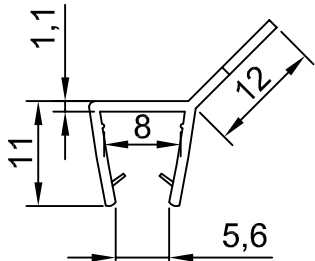
SG801-10-R



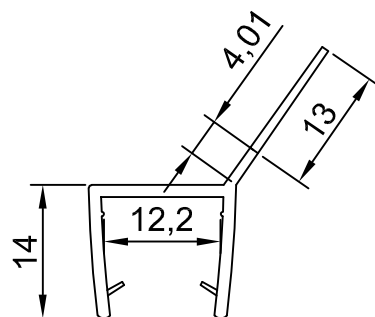
SG8024-8-R



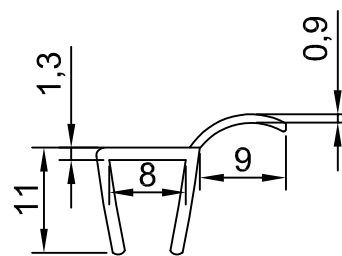
SG809-8-R



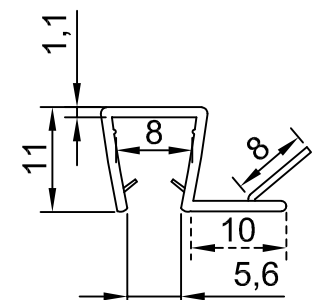
SG805-8-R



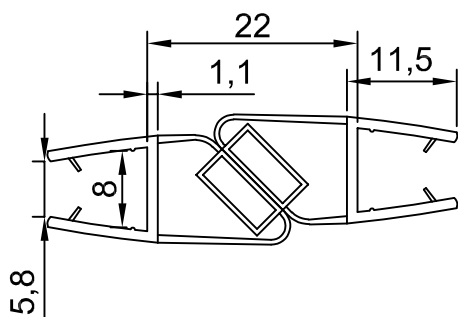
SG805-10-R



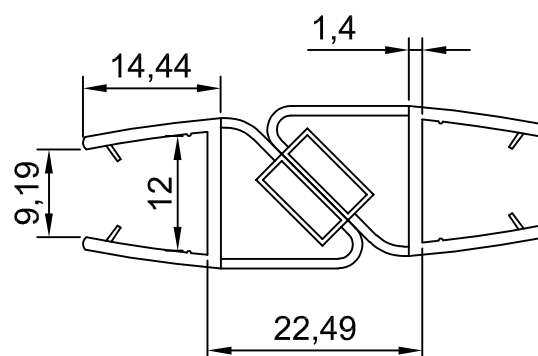
005C 6-8mm



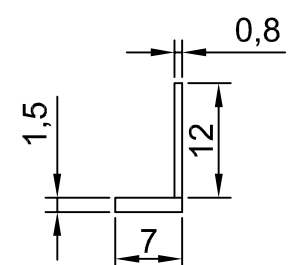
SG808-8-R



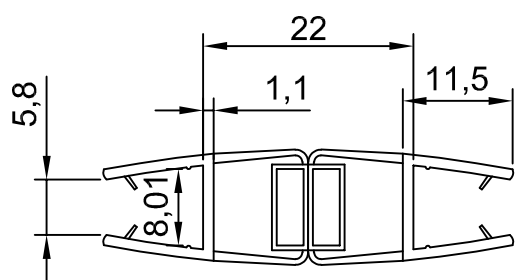
SG020-8-R



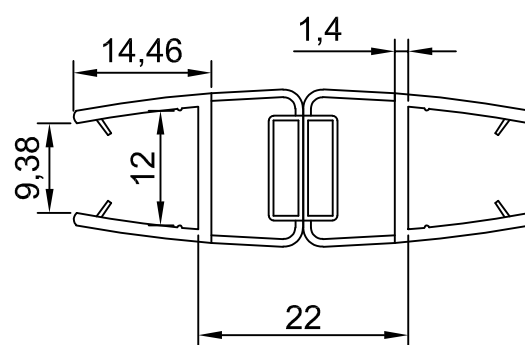
SG020-10-R



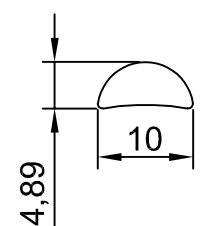
F222



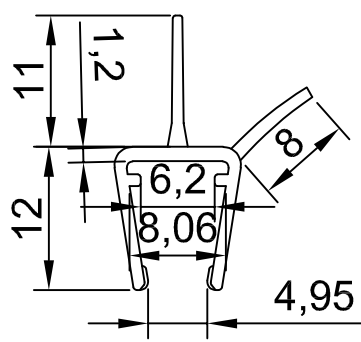
SG017-8-R



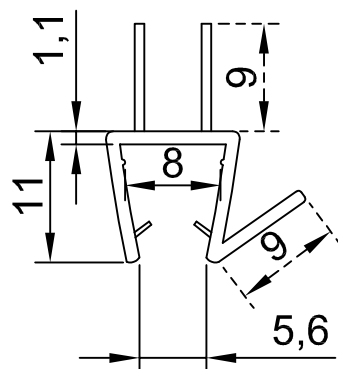
SG017-10-R



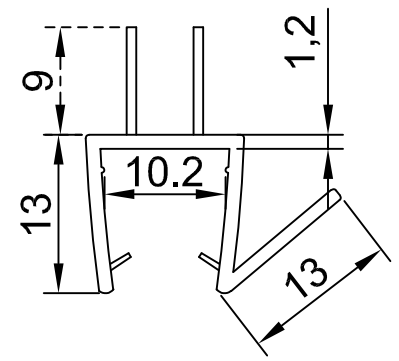
SCP003



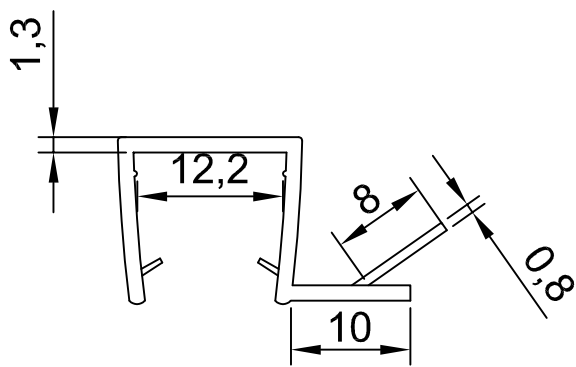
009A2 6-8mm



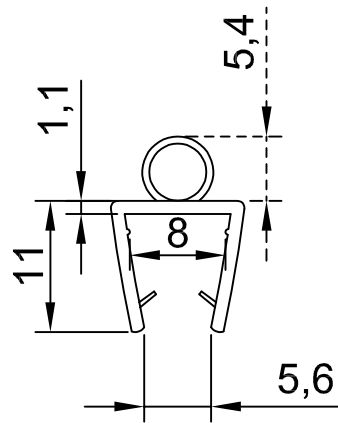
SG8010-8-R



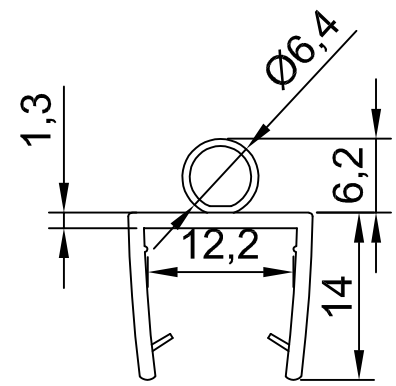
SG8010-10-R



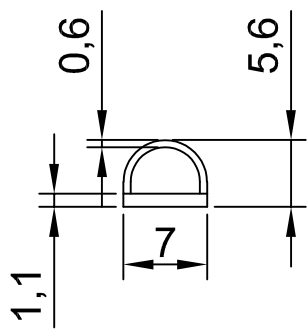
SG808-10-R



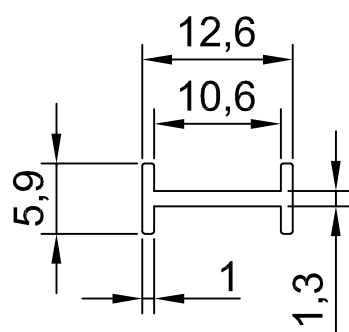
SG807-8-R



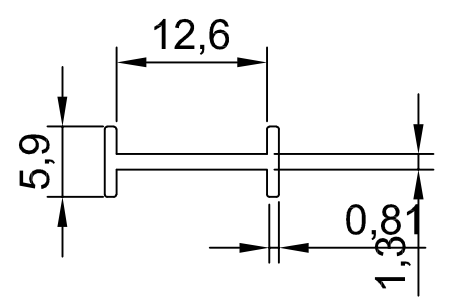
SG807-10-R



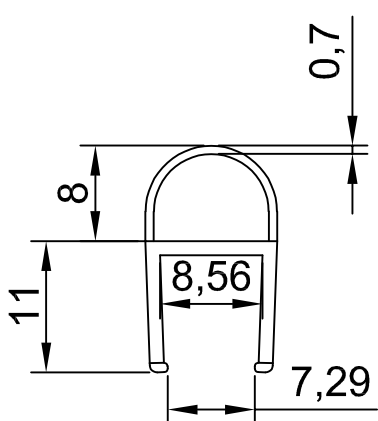
F223



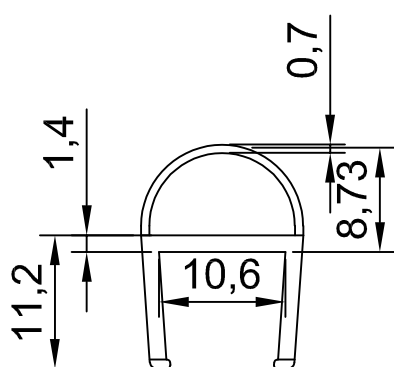
SGW0015



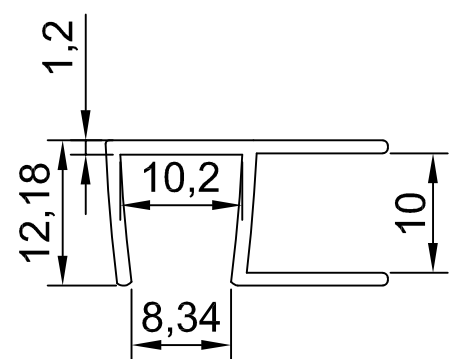
SGW0016



SG8026-8-PR

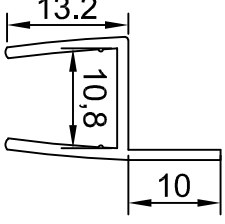
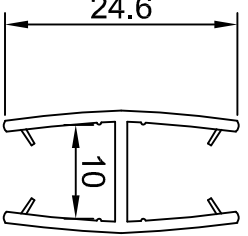
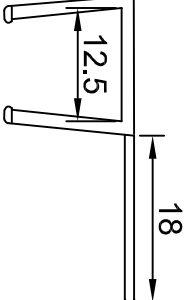
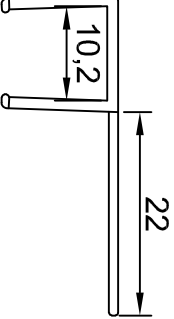
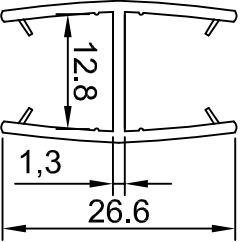
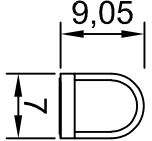
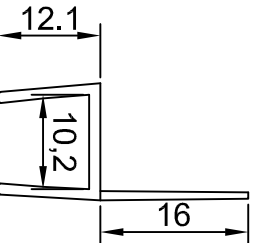


SG8026-10-PR



SG8025-8-R

# Hilaldam

 <p>863236</p>	 <p>863254</p> <p>±0.2</p>	 <p>863248</p>	 <p>863156</p>	 <p>863255</p>	 <p>862961</p>	 <p>863245</p>
--	--	---	--	--	--	--